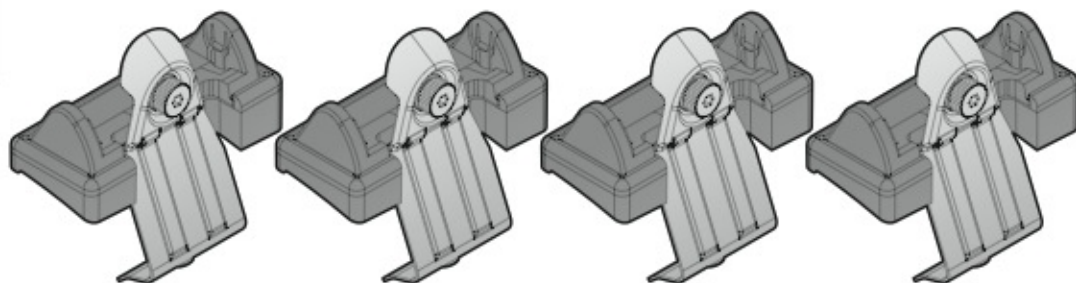


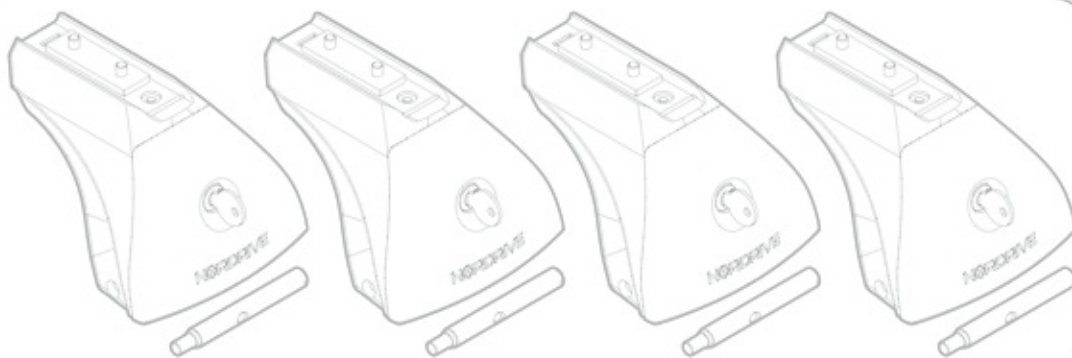
Art.
N21006



C

+

Art. **N20001**



B

+

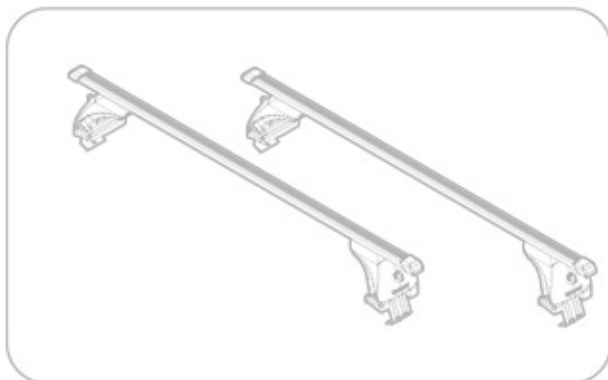
Art. **N15020**



A

ACCIAIO
Steel

=



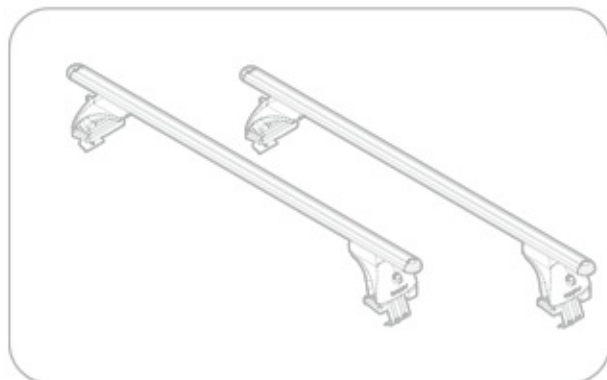
Art. **N15025**






A

ALLUMINIO
Aluminium

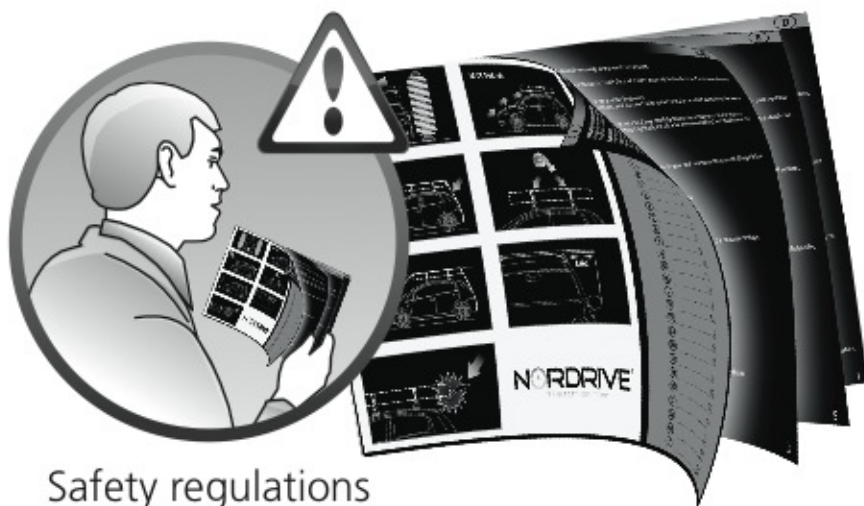
=



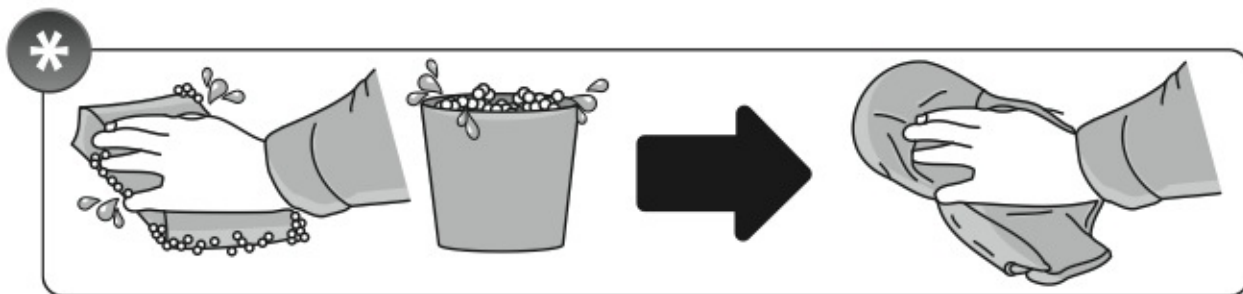
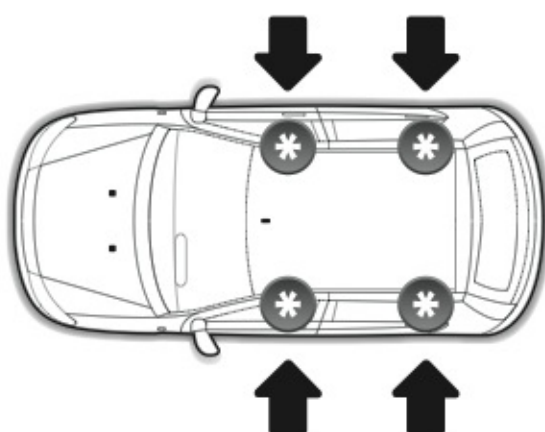
 +  +  = max: **60kg**
5,5kg



max:
???kg



Safety regulations

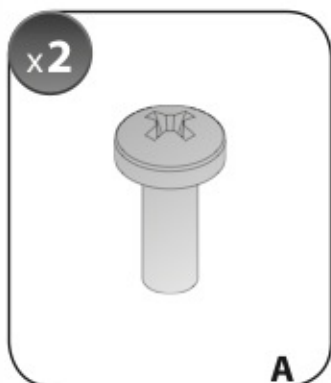
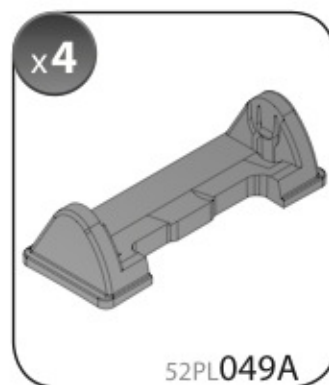
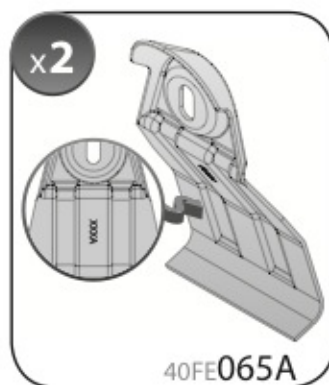
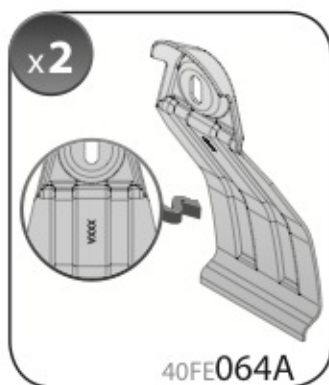
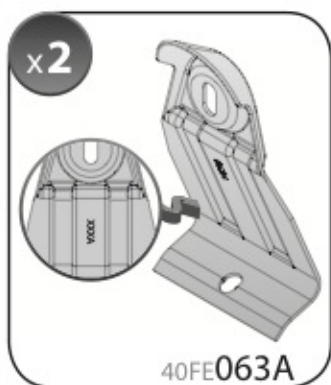
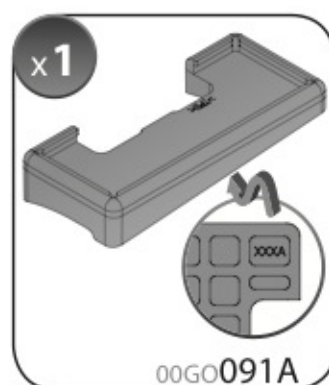
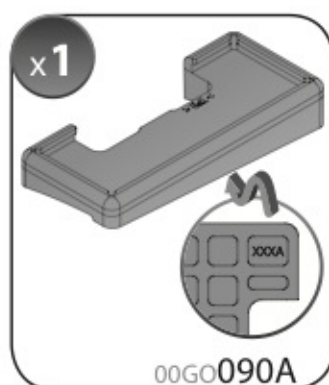
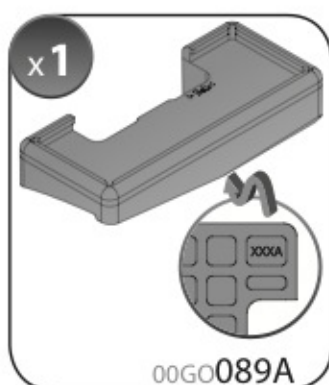
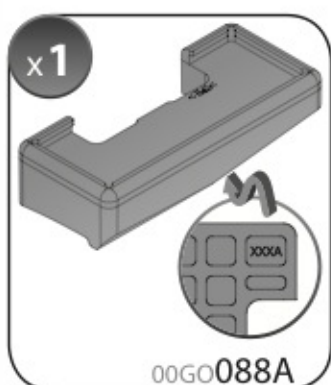


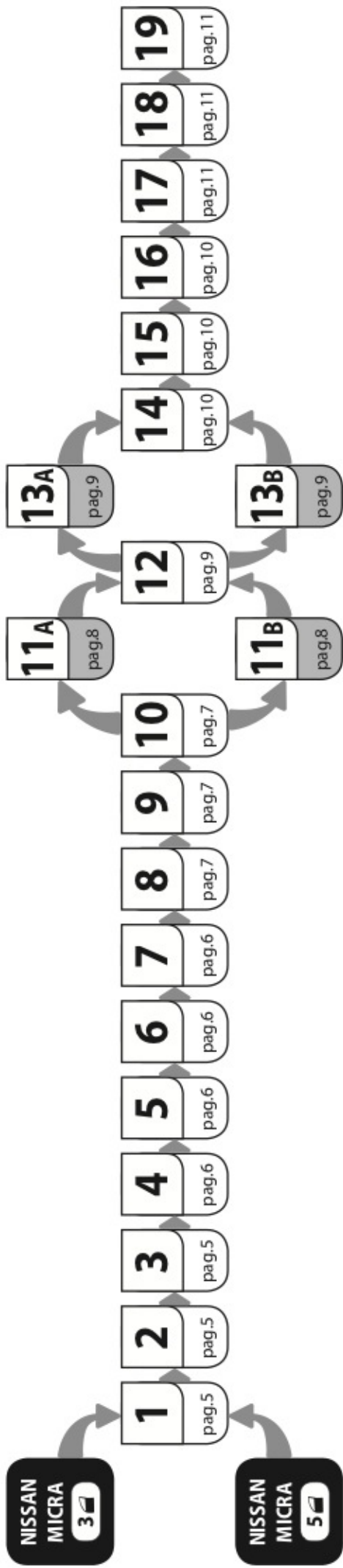


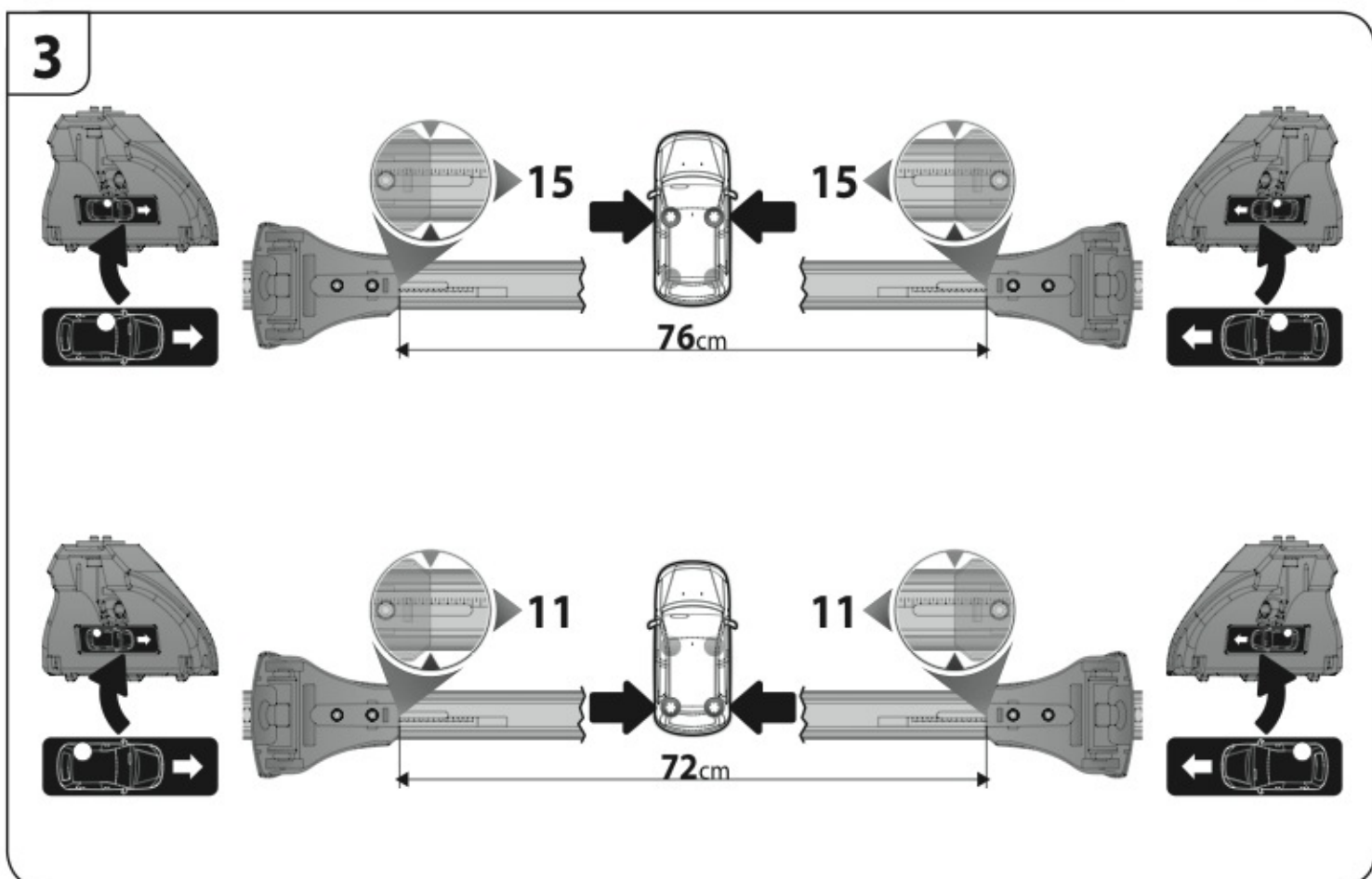
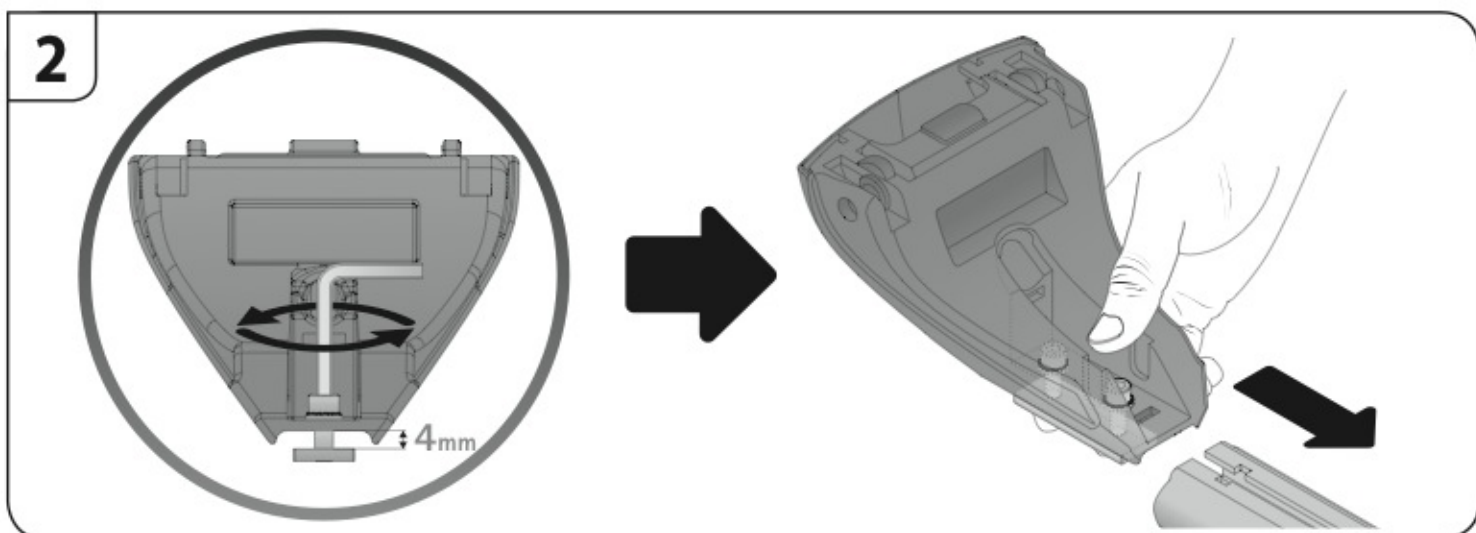
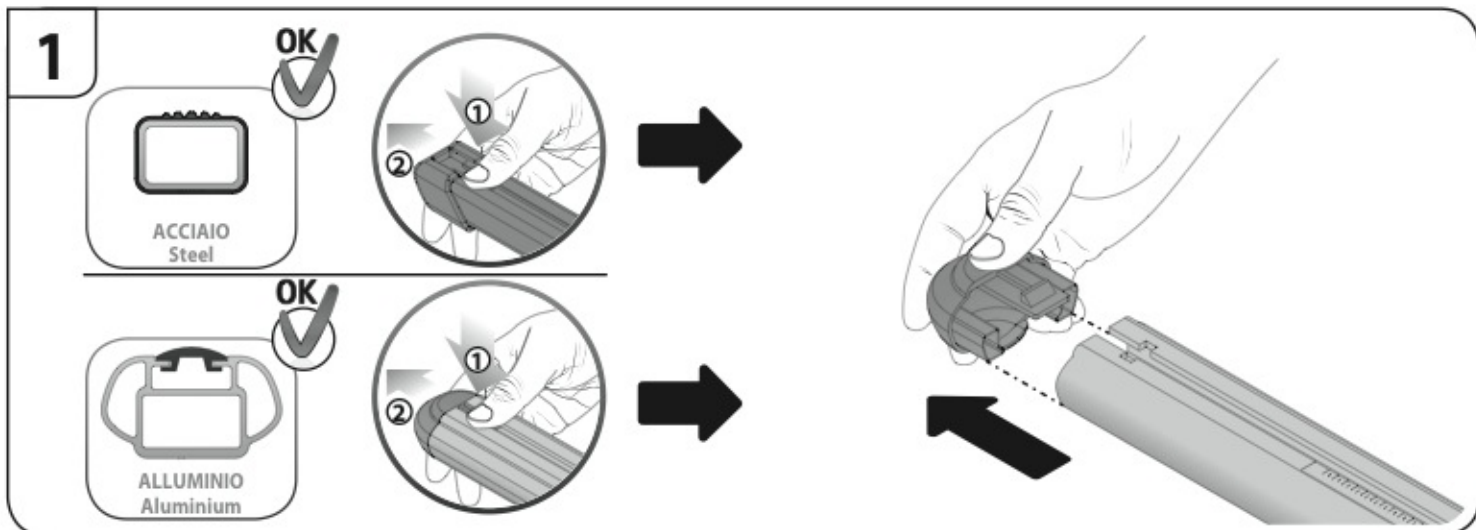
NISSAN MICRA

1/03 →

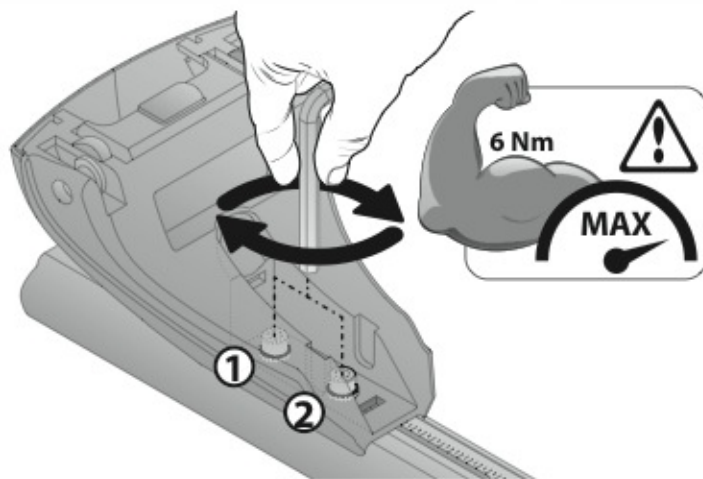
Art. **N21006**



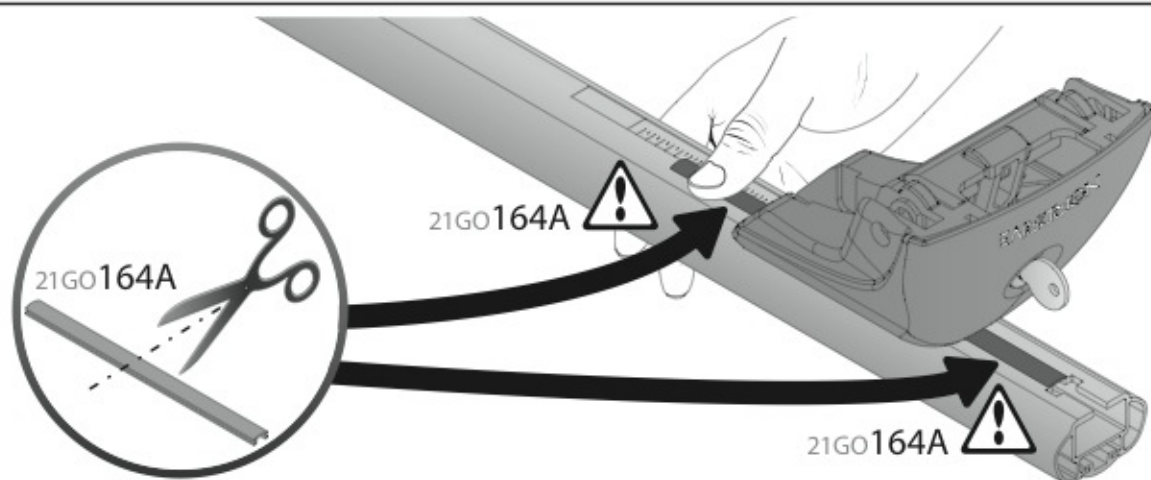




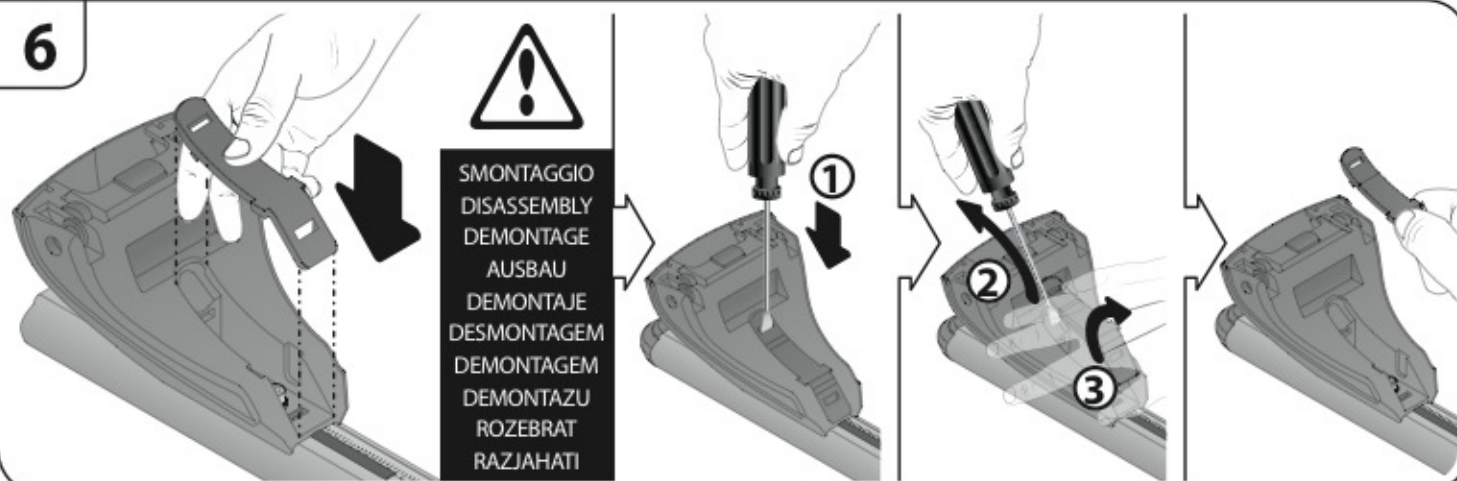
4



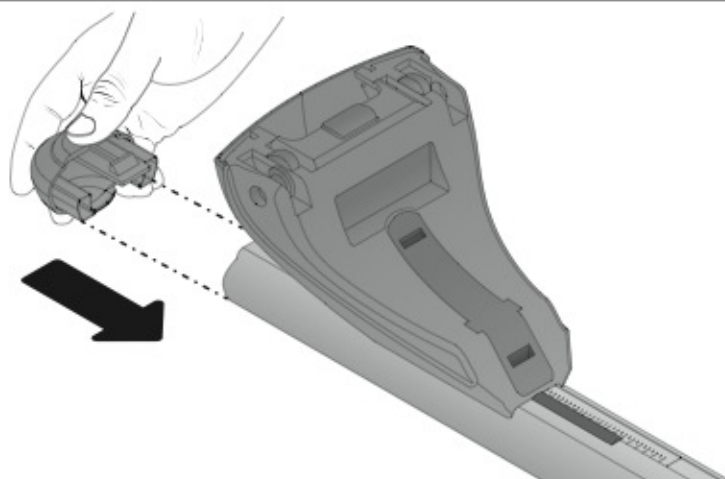
5

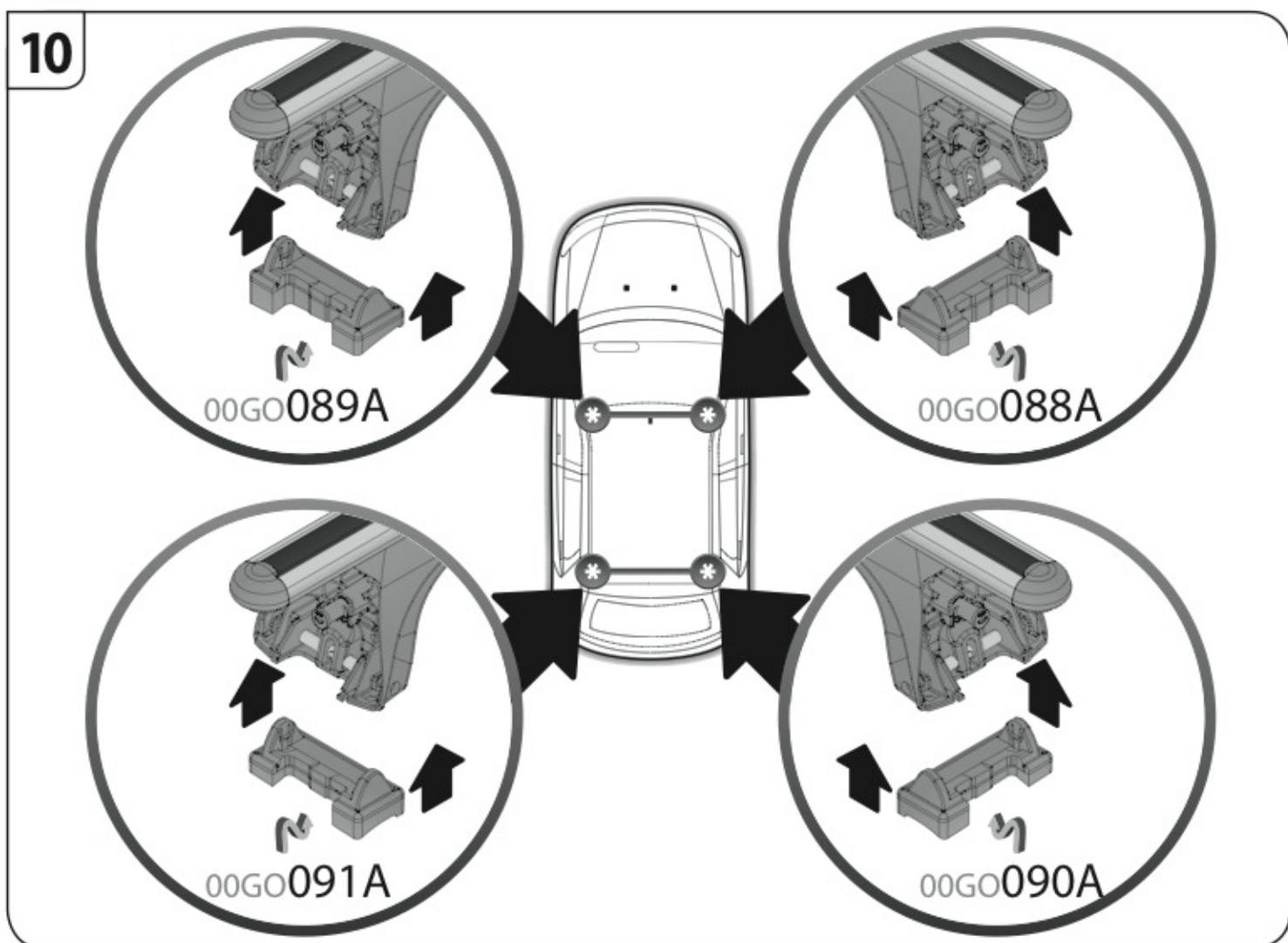
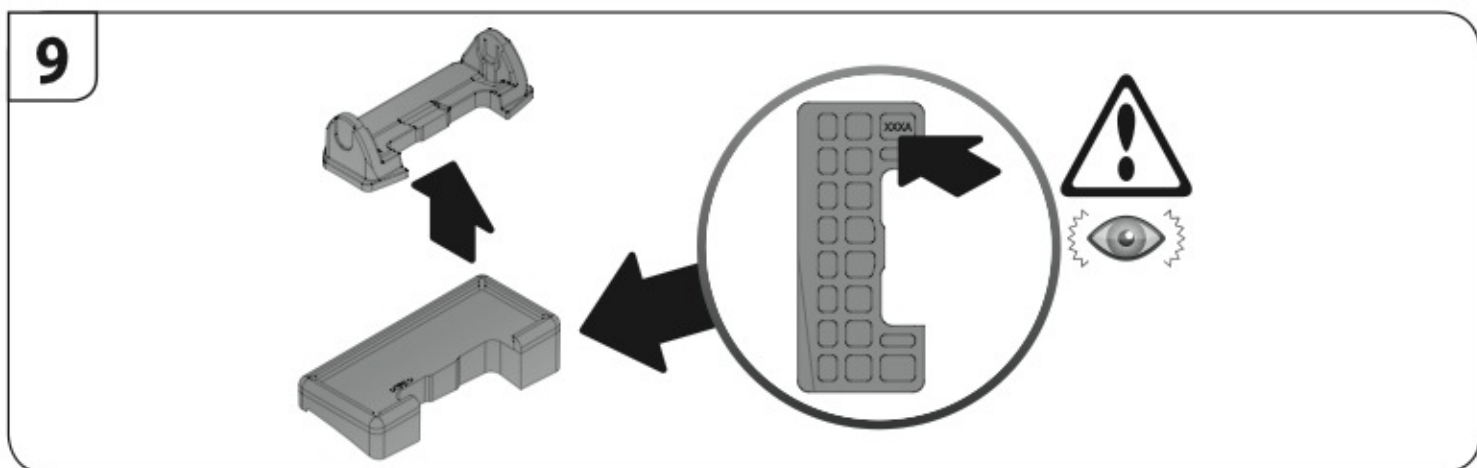
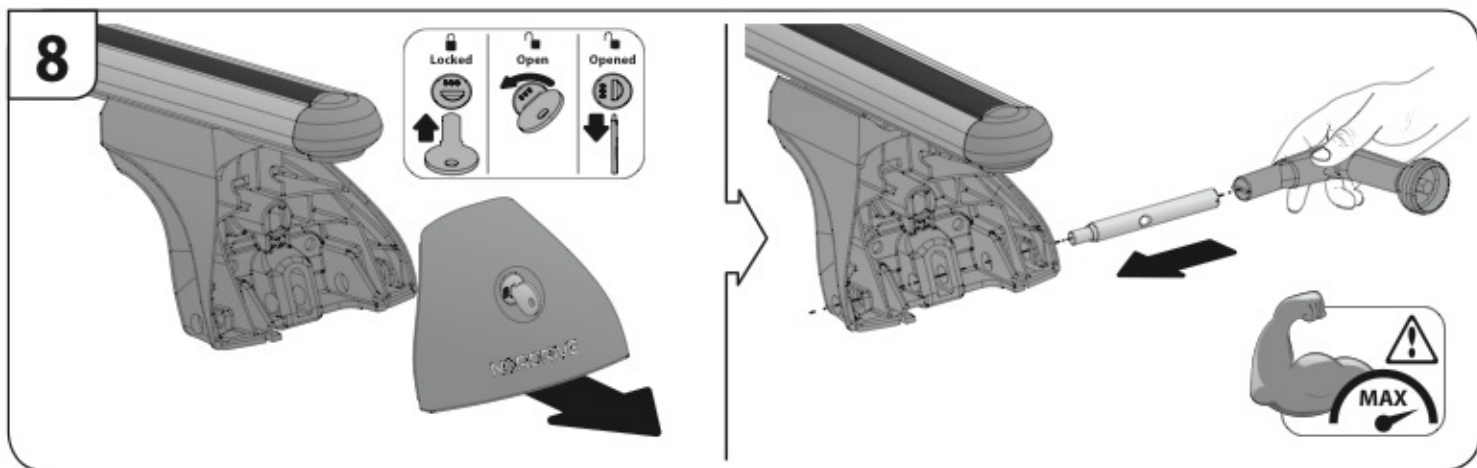


6



7

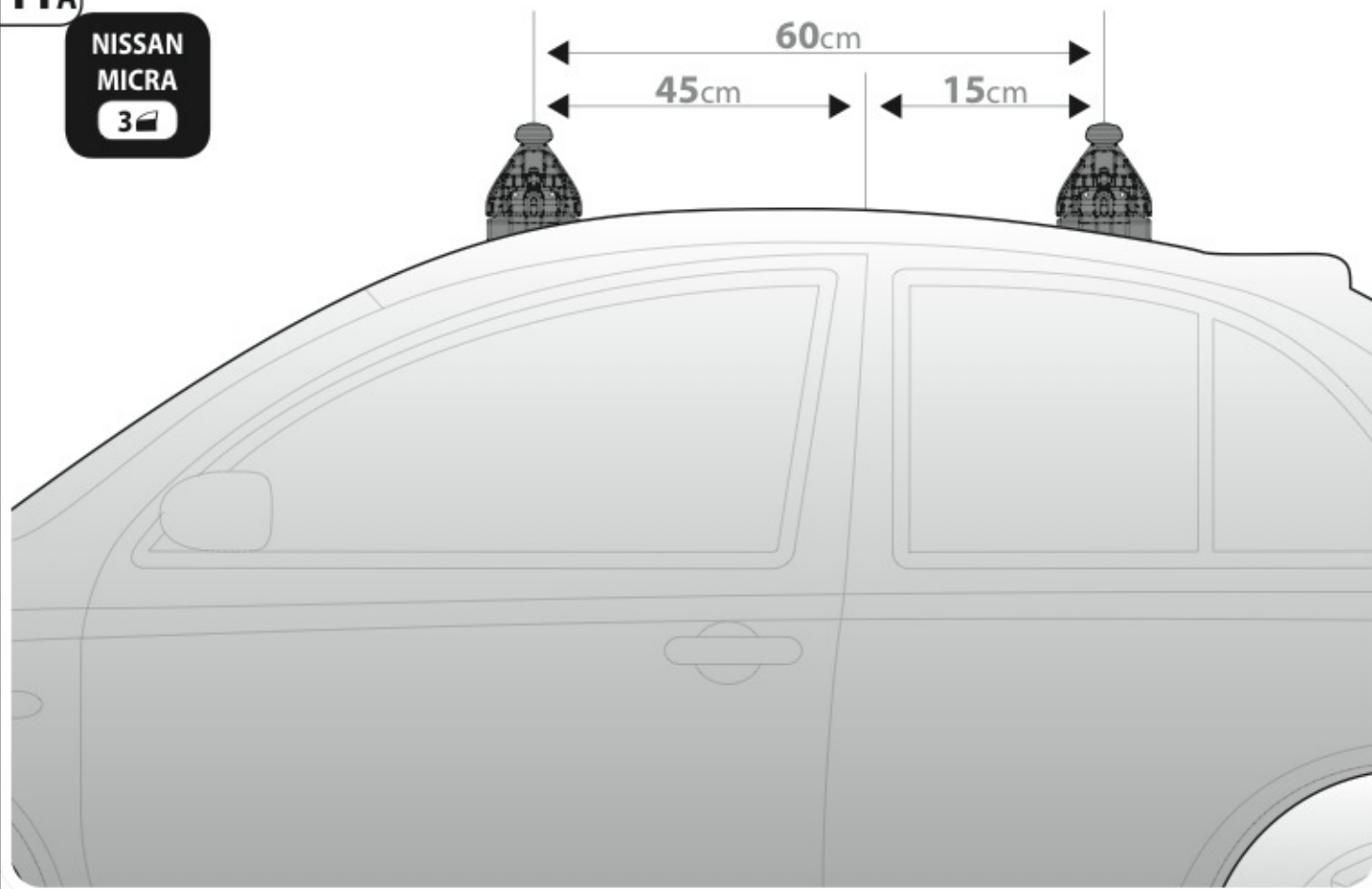




11A

NISSAN
MICRA

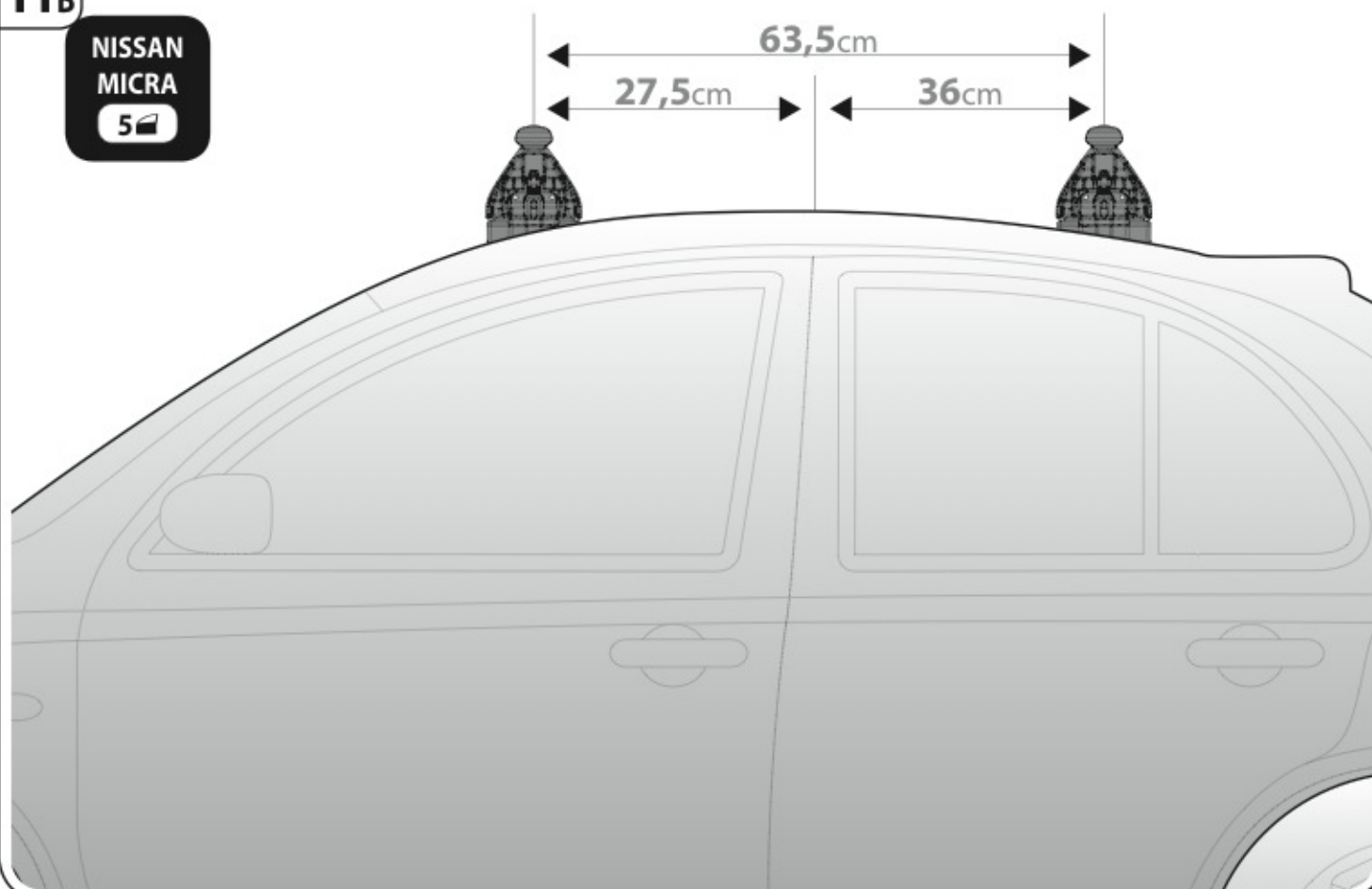
3



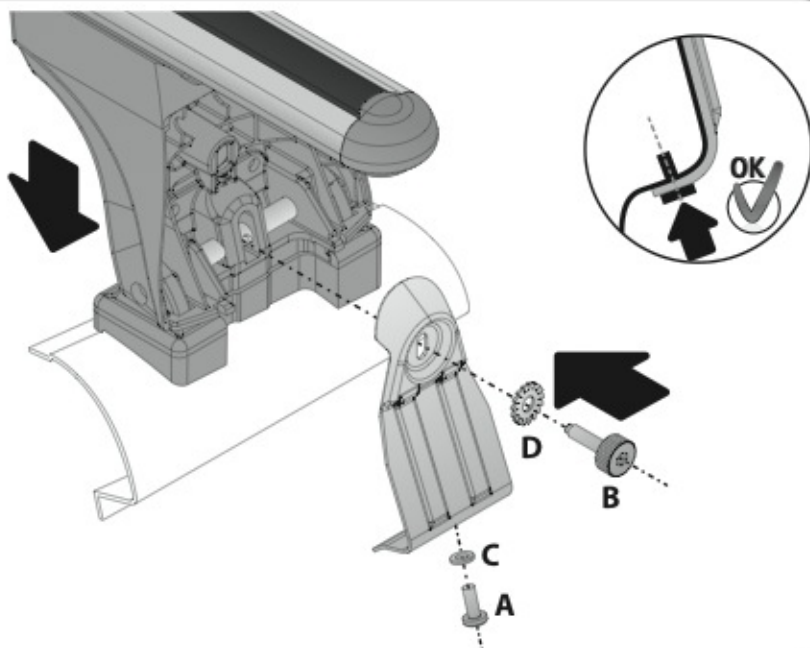
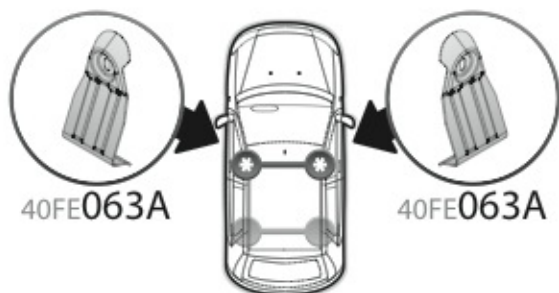
11B

NISSAN
MICRA

5



12



13A

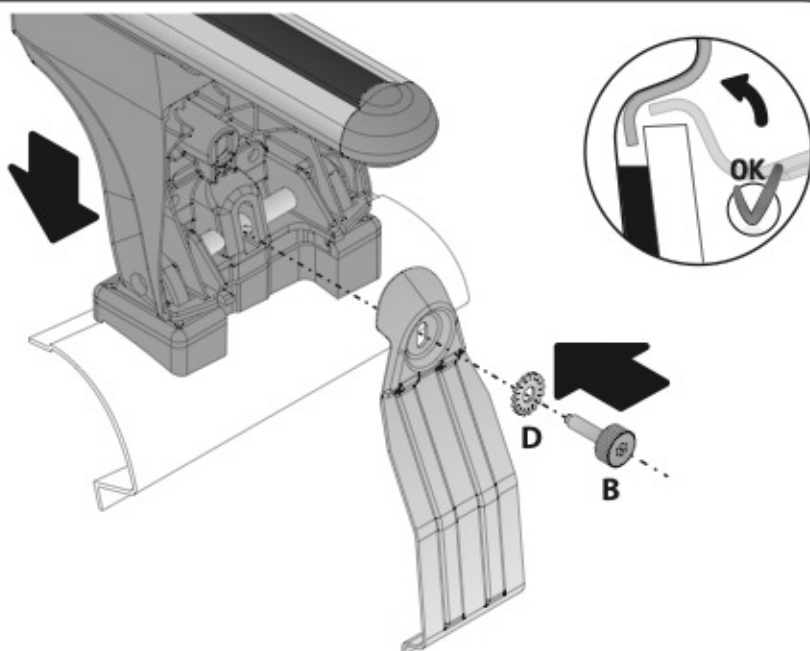
NISSAN
MICRA

3

40FE064A



40FE064A

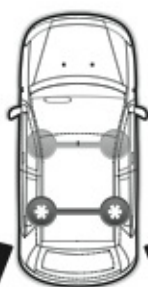


13B

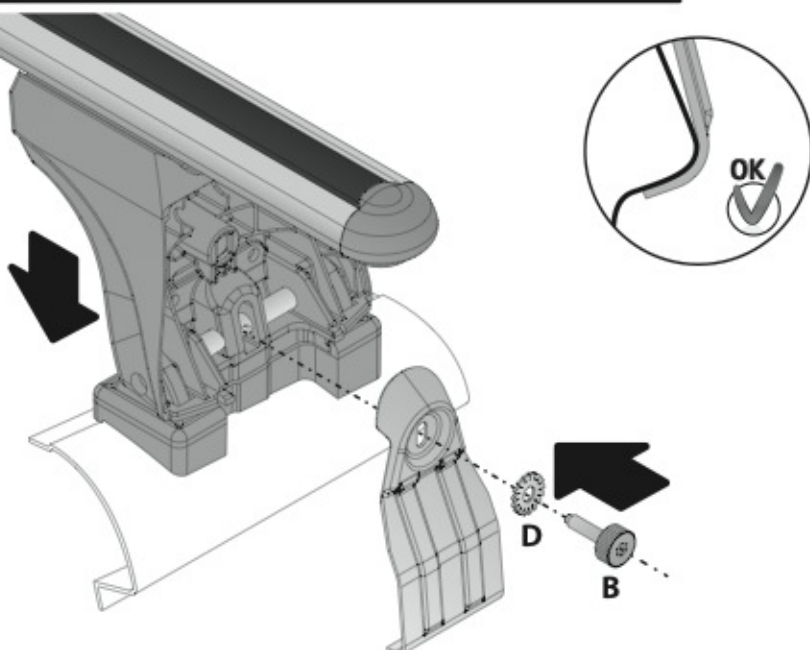
NISSAN
MICRA

5

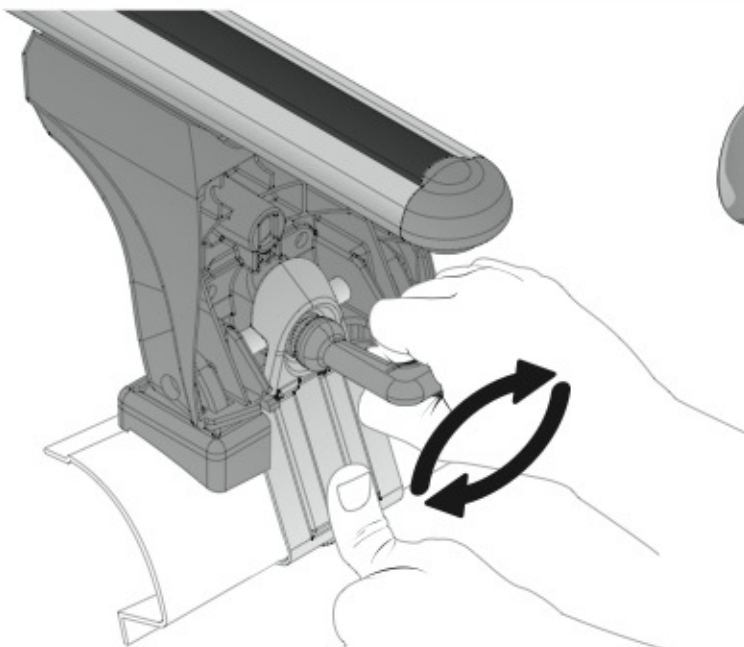
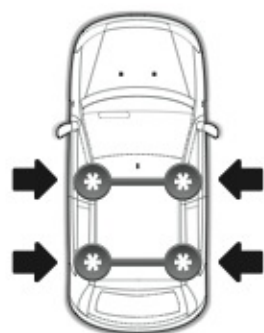
40FE065A



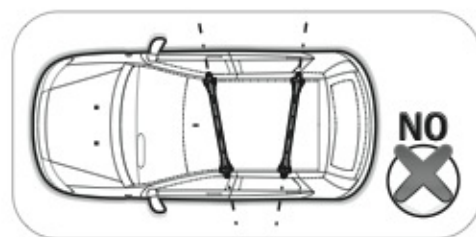
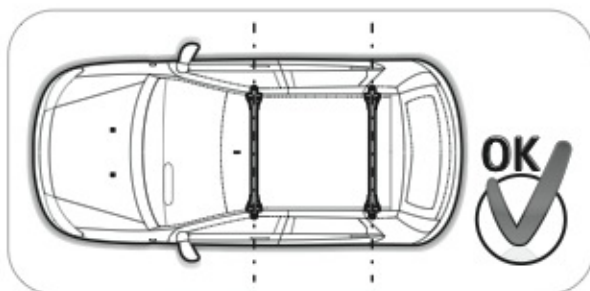
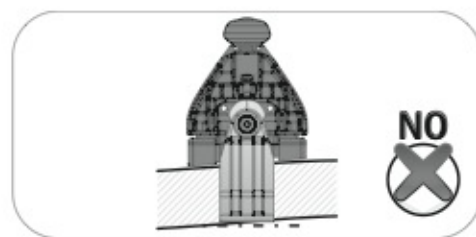
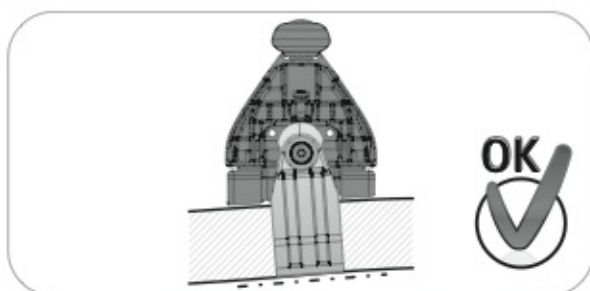
40FE065A



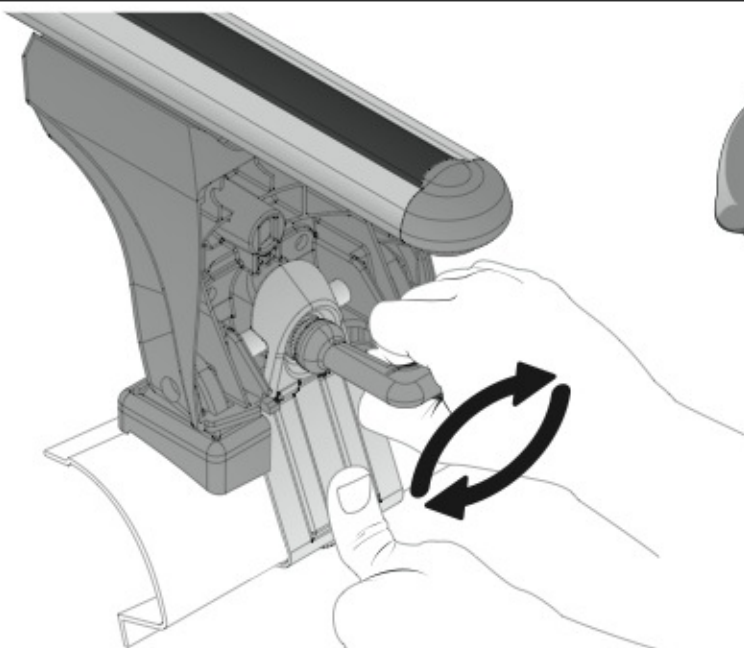
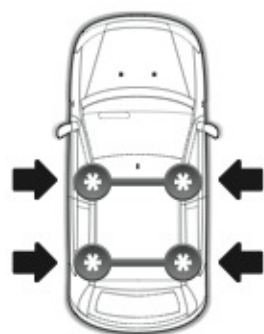
14



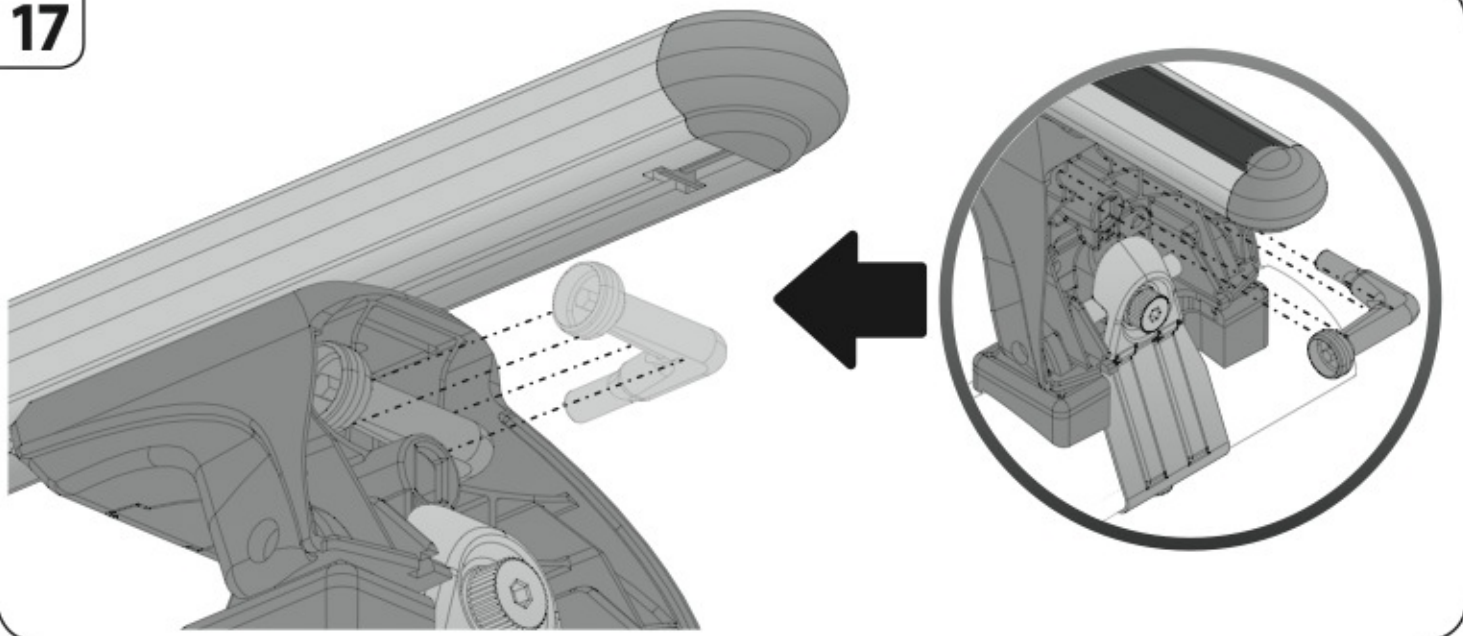
15



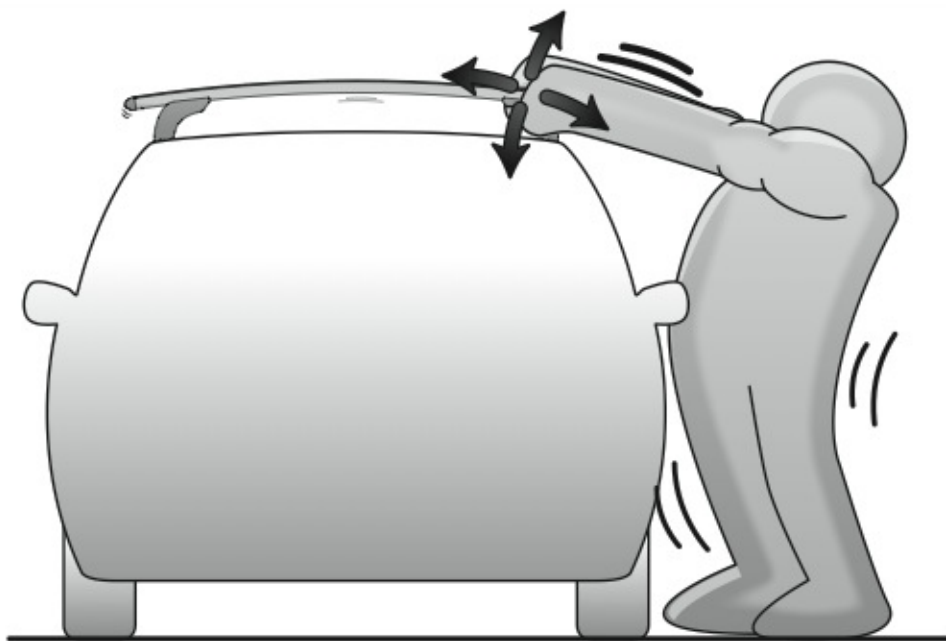
16



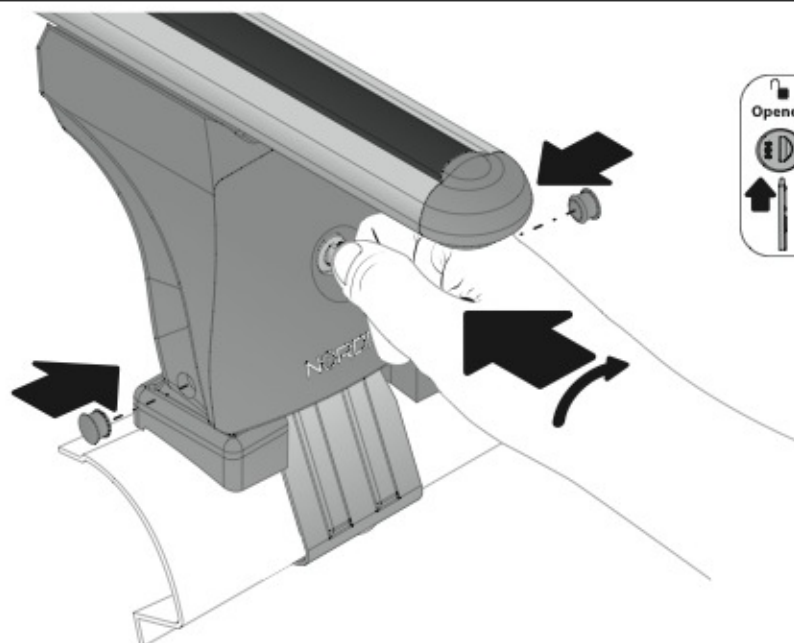
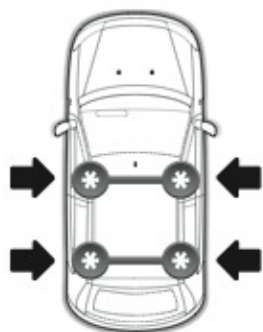
17



18



19



EVOS

EVOLUZIONE ZERO SYSTEM

NORDRIVE[®]
TRANSPORT SOLUTIONS

is a registered trade mark of

LAMPA S.p.A.

46019 Viadana (MN) ITALY

Ditta certificata UNI EN ISO 9001:2008

www.nordrive.it

www.lampa.it